

# COFFS HARBOUR DEVELOPMENT CONTROL PLAN 2013

## COMPONENT C<sub>3</sub> LANDSCAPING REQUIREMENTS

### Applies to

This Component of the Development Control Plan is applicable to the following types of development within the Coffs Harbour Local Government Area:

- medium and high density residential (including tourist residential);
- commercial;
- industrial;
- subdivision of land (>10 lots); and
- public use development.

**Note** that Local Environmental Plan 2013 has been deferred in some locations of the Local Government Area. This Development Control Plan does not apply to those deferred locations.

### Date adopted by Council

13 December 2012

### Effective Date

2 October 2013

### Amendments

Nil

### Disclaimer

The hyperlinks to various State or Federal Government legislation have been included in this Development Control Plan in good faith and were current at the time that this document was prepared.

Applicants, landowners and any person(s) using the hyperlinks should ensure that the relevant legislation or policy is the most up-to-date version. This information may be obtained from the relevant government authority administering the legislation.

*This Component of the Development Control Plan provides the requirements for landscaping associated with the development of land in the Coffs Harbour Local Government Area.*

## C3.1 GENERAL CONTROLS – APPLICABLE TO ALL DEVELOPMENT

### C3.1.1 Objectives

1. To protect, enhance and maintain key features of the natural environment.
2. To encourage plant selection that is sensitive to local climate, topography and natural features.

## DCP COMPONENTS

### PART A - INTRODUCTORY AND GENERAL INFORMATION

COMPONENT A1 ADMINISTRATION  
COMPONENT A2 NOTIFICATION AND PUBLIC PARTICIPATION

### PART B - LAND USE SPECIFIC INFORMATION

COMPONENT B1 SUBDIVISION REQUIREMENTS  
COMPONENT B2 RESIDENTIAL DEVELOPMENT REQUIREMENTS  
COMPONENT B3 BUSINESS DEVELOPMENT REQUIREMENTS  
COMPONENT B4 INDUSTRIAL DEVELOPMENT REQUIREMENTS  
COMPONENT B5 RURAL DEVELOPMENT REQUIREMENTS  
COMPONENT B6 POST EUROPEAN HERITAGE REQUIREMENTS  
COMPONENT B7 BIODIVERSITY REQUIREMENTS

### PART C – ISSUE SPECIFIC INFORMATION

COMPONENT C1 DESIGN REQUIREMENTS  
COMPONENT C2 ACCESS, PARKING AND SERVICING REQUIREMENTS  
COMPONENT C3 LANDSCAPING REQUIREMENTS  
COMPONENT C4 ADVERTISING SIGNS REQUIREMENTS  
COMPONENT C5 SEX SERVICES PREMISES REQUIREMENTS  
COMPONENT C6 MINOR EARTHWORKS REQUIREMENTS  
COMPONENT C7 WASTE MANAGEMENT REQUIREMENTS  
COMPONENT C8 INTEGRATED (NATURAL) WATER CYCLE MANAGEMENT REQUIREMENTS

### PART D - HAZARD MANAGEMENT INFORMATION

COMPONENT D1 EROSION AND SEDIMENT CONTROL REQUIREMENTS  
COMPONENT D2 CONTAMINATED LAND MANAGEMENT REQUIREMENTS  
COMPONENT D3 FLOODING AND COASTAL HAZARD REQUIREMENTS

### PART E - LOCALITY BASED SPECIAL INFORMATION

COMPONENT E1 COFFS HARBOUR REGIONAL AIRPORT (DEFERRED)  
COMPONENT E2 BOAMBEE CREEK  
COMPONENT E3 COFFS HARBOUR CITY CENTRE  
COMPONENT E4 HEARNES LAKE / SANDY BEACH (DEFERRED)  
COMPONENT E5 KORORA LARGE LOT RESIDENTIAL  
COMPONENT E6 MOONEE (DEFERRED)  
COMPONENT E7 NORTH BOAMBEE VALLEY (EAST)  
COMPONENT E8 NORTH BONVILLE  
COMPONENT E9 SAWTELL VILLAGE PRECINCT  
COMPONENT E10 SOUTH COFFS  
COMPONENT E11 WEST COFFS  
COMPONENT E12 WEST WOOLGOOLGA  
COMPONENT E13 PACIFIC HIGHWAY DEVELOPMENT SETBACK AREA  
COMPONENT E14 HALLS ROAD BUSINESS PRECINCT  
COMPONENT E15 TOURIST DEVELOPMENT PRECINCTS

### PART F – GLOSSARY AND APPENDIX

COMPONENT F1 GLOSSARY  
COMPONENT F2 APPENDIX 1

### C3.1.2 When are Landscape Plans Required?

- i) Landscape plans are required to accompany Development Applications (DAs) for:
- industrial development;
  - commercial development (where the placement of landscaping is possible);
  - tourist development;
  - multi-dwelling housing
  - residential flat building developments (i.e. three or more dwelling units); and
  - subdivision (more than 10 lots).

*Note: Landscape plans will only be required to be submitted, where the application proposes new buildings, and/or substantial modifications/additions to existing development.*

- ii) **Landscape Concept Plans** are required at the DA stage, for the above-mentioned land uses.
- iii) **Detailed Landscape Plans** are required prior to issue of a Construction Certificate.
- iv) **Landscape Masterplans** are required for subdivision proposals involving the creation of more than 10 lots.
- v) **“Works as executed” Plans** or certificates of completion are required to be submitted to Council prior to occupation of the development.
- vi) All landscape plans should be prepared by a landscape architect with qualifications recognised by the Australian Institute of Landscape Architects (AILA) or a professional landscape consultant with membership to the Australian Institute of Landscape Designers and Managers (AILDM).

For assistance please contact Council’s City Services Department, phone 6648 4000.

### C3.1.3 Information to be included in Particular Landscape Plans

#### a) Landscape Concept Plans

- i) A Landscape Concept Plan graphically outlines the landscaping strategy for the proposed development. The Concept Plan is to also include a Preliminary Landscape Report, which addresses all significant site factors and includes design objectives and reasons for particular landscape design choices. The information to be included in a Landscape Concept Plan includes:
- property boundaries, any related DA number, adjoining land uses, details of any protection and/or conservation orders relating to site;
  - North point and scale (1:100 – two A1 plans and two A3 plans to be submitted);
  - contours and topographical features;
  - layout and area calculations of proposed planting areas;
  - any proposed excavation (cut/fill) associated with development;
  - proposed buildings, surface and edging treatments including paving, roads, car parks, driveways, crossovers;
  - fencing and retaining walls including style (type) and height;
  - any existing trees that are to be retained as well as any existing trees that are to be removed and the reasons for removal.
  - proposed tree species and proposed plant species palette (refer Appendix 1-3);
  - overland flow paths, drainage, and detention basins;
  - open space within and adjoining the development, including access and links to open space;
  - service connections;
  - street tree placement including species; and
  - landscape design principles.

## b) Landscape Masterplans

- i) A Landscape Masterplan provides an overall development concept. It shows how the component drawings produced by the engineers and architects on a large project fit together.
- ii) The submitted Landscape Masterplan is to provide all the information of a Concept Plan, and is also to include:
  - road and footpath set out and connectivity;
  - proposed uses for public spaces;
  - environmental considerations and/or requirements; and
  - design considerations enhancing connectivity to and character of the local area.

## c) Detailed Landscape Plan

- i) A detailed and scaled Landscape Plan should define all external works with an accompanying specification. Applicants are advised to refer to the relevant components of this Development Control Plan (DCP) for minimum setback and open space requirements.
- ii) The Landscape Plan should include all information required in a Concept Plan, and is also to include:
  - proposed finished surface levels and falls;
  - existing trees to be retained and protection strategies during construction;
  - detailed design of all landscape features: retaining walls, masonry walls, fences, surface finishes;
  - proposed vehicle and pedestrian access circulation patterns;
  - details of soil preparation of proposed planting and turf areas;
  - details of proposed weed control;
  - identify proposed turf and provide cultivation notes for installation;

- identify planting including plant species: botanical and common names, pot size and quantity;
- planting detail: minimum planting standards refer to Appendix 1 of this Component;
- tree planting details: All trees planted in car park areas and street trees must include a tree cage installed as per Appendix 2 of this Component;
- site drainage including overland flow paths, field gullies and detention basins;
- water tanks to meet Council requirements;
- drying courts - one per unit - exception is units in multi-storey developments. As approved by Council;
- taps: minimum one per outdoor space;
- street tree placement. Refer Technical Notes and Appendix 2 of this Component;
- position of all services and utilities;
- position of rubbish bins;
- proposed irrigation system;
- tree protection measures; and
- maintenance schedule for a period to be determined by Council. Subdivisions of over 10 lots will require minimum 12 months maintenance from completion of landscape works. Completion to be accepted by Council prior to commencement of maintenance period.

#### d) Works as Executed Plan

- i) Prior to the occupation of any premises, a Works as Executed Plan or Certificate is to be submitted to Council. This indicates that all landscape works have been carried out in accordance with the approved Landscape Plans. The Plan or Certificate is to be certified by a qualified Landscape Architect or Landscape Designer.
- ii) The appendices to this Component lists plant species that are relevant to the development of land in the Coffs Harbour Local Government Area (LGA). The following lists are included:
  - recommended landscaping species; and
  - Local Native Species; and
  - environmental and noxious weeds.

#### C3.1.4 General Controls

##### a) Retention of Existing Trees and Established Vegetation

- i) Species selected are to be suitable for the site conditions.
- ii) All works around existing trees are to comply with [Australian Standards \(AS\) 4970-2009: Protection of Trees on Development sites](#). A Certificate of Compliance from a certified or registered arborist may be required to be submitted to the Consent Authority upon completion of works.
- iii) Tree protection fencing shall be erected prior to the commencement of any construction works. Materials and equipment are not to be stored within the fenced tree protection zone.

- iv) Any pruning or trimming of vegetation is to be in accordance with [AS4373: Pruning of Amenity Trees](#). Damage to any trees as a result of pruning is to be rectified where possible. A Certificate of Compliance from a certified or registered arborist may be required to be submitted to the Consent Authority upon completion of works.

##### b) Plant Selection and Ground Preparation

- i) Appropriate plant selection should be sensitive to local climate, topography and natural features. For information on weeds, refer to Appendix 3 of this Component, or the [Schedule of Declared Noxious Weeds](#) on Council's website. Plant selection and ground preparation is to be undertaken to comply with the following:
    - planting beds for tree plantings are to be a minimum 1500mm wide where trees are likely to reach four metres upon maturity. Trees that are likely to grow beyond four metres are to incorporate planting beds of minimum 2,000mm wide;
    - deep soil zones\* for tree plantings are to be incorporated into the landscape proposal to allow promotion of large tree growth;
- \* **Deep soil zones are areas of natural ground retained within a development, uninhibited by artificial structures and with relatively natural soil profiles. Deep soil zones have important environmental benefits, including;**
- **promoting healthy growth of large trees with large canopies,**
  - **protecting existing mature trees, and**
  - **allowing infiltration of rainwater to the water table and reduction of stormwater runoff.**

- appropriate amounts of topsoil and mulch are to be applied to all garden beds. Soil and mulch types are to be identified on landscape plans. Refer to planting detail - Appendix 1 of this Component;
- palms, if used, must complement, and not substitute trees;
- planting undertaken adjacent to environmentally significant vegetation areas are to be predominantly native/endemic; and
- planting selections are to include trees, shrubs, and groundcovers, and are to also provide for seasonal variation. The use of endemic native plants is encouraged.

### c) Front Setback

- i) Screening shrubs and trees should be used in front building setback areas.
- ii) Trees that have minimal branches on the lower and mid tree trunk (to protect pedestrian and driver visibility) and low groundcovers are to be used on public road frontages.
- iii) Multiple unit proposals are to incorporate shade trees in their frontage areas and/or courtyards. Screening shrubs should be used to break up blank walls and provide privacy.
- iv) Small shrubs and groundcovers are to be used to cover any unsealed ground.
- v) Landscaping should compliment the existing streetscape features of the locality.

### d) Side and Rear Boundaries

- i) Trees are to be used on the side and rear boundaries (where relevant) immediately adjacent to the building.
- ii) Trees are to be chosen that are likely to achieve a height equal to the eaves of adjacent buildings upon maturity.
- iii) Boundary planting beds incorporating shrubs are to be provided to enhance site areas that are visible from the street.
- iv) Low shrubs and groundcovers are to be used to cover any unsealed/open ground.

### e) Car Parking Areas, Driveways and Internal Roadways

- i) Landscaping is to include shade trees that soften the visual impact of car parking areas.
- ii) Landscape plans are to include tree planting details that address drainage, compaction, root barrier and irrigation requirements. Planting islands are preferably to be used over singular tree plantings.
- iii) Landscaping is to be protected by including the use of raised barrier kerb or bollards.
- iv) Tree cages are to be installed for shade trees as per Council's street tree planting detail - see Appendix 2 of this Component.
- v) Trees are to be used that have minimal branches on the lower and mid tree trunk (to protect pedestrian and driver visibility).

## **C3.2 SPECIFIC CONTROLS – RESIDENTIAL (INCLUDING TOURIST RESIDENTIAL) DEVELOPMENT**

---

### **C3.2.1 Objectives**

1. To provide a unified landscape character within residential areas.
2. To enhance the character of the location by softening, screening and framing buildings or structures.

### **C3.2.2 Controls**

#### **a) Medium Density Residential Development**

- i) Provide one shade tree per five metres of frontage.
- ii) Courtyard plantings are to include one tree, to achieve minimum building height upon maturity, one tall shrub to achieve minimum height of five metres upon maturity, and screening shrubs as appropriate to minimum 1.5 metres mature height.
- iii) Where screening is required, small shrubs are to be used, and achieve minimum height of three metres upon maturity.
- iv) For multi-dwelling developments, a minimum 25% of the landscaped area shall be a deep soil zone.

#### **b) Tourist Residential Development**

- i) **Front Setback**
  - Provide one shade tree per five metres of frontage. Trees mature height to be 10 metres.
  - Screening shrubs are to be used to break up blank walls and provide privacy. Shrubs mature height to be three metres.

- Landscaping to include minimum two metre wide planting beds, with understorey plantings to visually enhance the property when viewed from the street.
- Use small shrubs and groundcovers to cover any open ground.

#### **ii) Side boundaries**

- Use either columnar trees at a maximum spacing of three metres, or rounded trees at a maximum spacing of 10 metres, for the side boundaries immediately adjacent to the building.
- Screening shrubs are to achieve a height of three metres upon maturity. Use low shrubs and groundcovers as appropriate for the site requirements.

#### **iii) Rear boundaries**

- Trees are to be provided at a minimum spacing of six metres, and are to achieve a height of adjacent buildings upon maturity.
- Screening shrubs are to achieve three metres upon maturity.
- Use small shrubs and groundcovers to cover any open ground.

#### **c) High Density Residential Development**

##### **i) Front Setback**

- Trees must achieve a minimum height of 10 metres upon maturity.
- Landscaping to include minimum two metre wide planting beds, with understorey plantings to visually enhance the property when viewed from the street.

## ii) Side boundaries

- Minimum mature height to be the level of the uppermost living or bedroom windows.
- Landscaping to include minimum two metre wide planting beds, with understorey plantings to visually enhance the property when viewed from the street.

## iii) Community property recreational areas

- Minimum one shade tree per 10m<sup>2</sup>. Shade trees' mature height to be in scale with building (minimum 10 metres).
- Planting beds are to be a minimum two metres wide.

## iv) General

- A minimum 25% of the landscaped area shall be a deep soil zone.

iii) Use screening shrubs to break up blank walls and provide privacy (where possible and are to achieve a height of three metres upon maturity).

iv) Small shrubs and groundcovers are to be used (where possible) to cover any open ground.

## b) Side boundaries

i) On the side boundaries immediately adjacent to the building (where possible), use either columnar trees at a maximum spacing of three metres, or rounded trees at a maximum spacing of 10 metres.

ii) Screening shrubs are to achieve a height of three metres upon maturity. Use low shrubs and groundcovers as appropriate for the site requirements (where possible).

## c) Rear boundary

i) Place trees at a minimum spacing of six metres (where possible) to achieve a height of the eaves of adjacent buildings upon maturity.

ii) Use screening shrubs (where possible) to achieve a height of three metres upon maturity.

iii) Use small shrubs and groundcovers (where possible) to cover any open ground.

## C3.3 SPECIFIC CONTROLS – COMMERCIAL (INCLUDING TOURIST COMMERCIAL) DEVELOPMENT

---

### C3.3.1 Objective

1. To provide a unified landscape character within commercial areas.

### C3.3.2 Controls

#### a) Frontage

- i) Frontage landscaping is to be in character with the landscaping in the surrounding local area, and also enhance the entry to the premises.
- ii) Shade trees are to be provided (where possible) and are to achieve a minimum height of five metres upon maturity.

## C3.4 SPECIFIC CONTROLS – INDUSTRIAL DEVELOPMENT

---

### C3.4.1 Objective

1. To provide a unified landscape character within industrial areas.

### C3.4.2 Controls

#### a) Front Setback

- i) A minimum of one shade tree is to be provided for six metres of frontage and is to achieve a minimum height of adjacent buildings upon maturity.
- ii) A minimum of two tall shrubs (minimum height four metres) and six small shrubs (minimum height one metre) are to be provided per six metres of frontage.

#### b) Side boundaries

- i) Use either columnar trees at a maximum spacing of three metres, or rounded trees at a maximum spacing of 10 metres for the side boundaries immediately adjacent the building (where possible).
- ii) Use screening shrubs at two metre spacing (where possible) to achieve three metres upon maturity.

#### c) Rear boundary

- i) Landscaping should be provided at the rear of buildings where the site abutts access streets, service roads, railway lines or residential development.
- ii) Use trees at a minimum spacing of five metres (where possible) to achieve height of building upon maturity.
- iii) Use screening shrubs at two metre spacing (where possible) to achieve three metres upon maturity.

### C3.5 SPECIFIC CONTROLS – SUBDIVISION (MORE THAN 10 LOTS)

---

#### C3.5.1 Objective

1. To provide street tree landscaping that enhances the density and scale of the existing urban landscape.

#### C3.5.2 Controls

##### a) Street Trees

- i) A street tree masterplan will be required for residential (including large lot residential) subdivisions (more than 10 lots) on green-field sites where a public road is proposed.
- ii) Street tree species selections are to compliment existing street trees. Where there are no street trees, or where there is no consistency in their occurrence, Council's Landscape Architect should be consulted to nominate the species.
- iii) Street trees are to be appropriately located with regard to kerbs, vehicle crossovers or intersections and underground services.
- iv) Trees are to be used that have minimal branches on the lower and mid tree trunk (to protect pedestrian and driver visibility).
- v) Trees should be chosen that are, upon maturity, likely to achieve a height of six metres. A smaller height may be considered where above ground powerlines are present.
- vi) All street trees are to be installed with a tree cage, and an associated mulched area. Refer Detail Appendix 2 of this Component.
- vii) Fertilising and spraying of trees is to be undertaken as necessary to ensure healthy growth.



- viii) Any tree surgery is to be carried out by a qualified arborist. The Consent Authority is to be provided with certification of any related works completed by the arborist.
- ix) Street trees are to be provided on the allotment frontage (refer Landscaping Plant Species contained in Appendix 3 of this Component). Consideration is to be given to the likely position of vehicle crossovers when positioning street trees so as to reduce potential damage (or relocation) during construction works.

#### b) Median Treatments

- i) Sir Walter Buffalo is the preferred turf that should be used in median treatments. Mass planting is required where ground slope is greater than 1:4, using Grevillea Royal Mantle or a similar ground cover as approved by Council.

### C3.6 SPECIFIC CONTROLS – PUBLIC OPEN SPACE AND RESERVES

---

#### C3.6.1 Objective

1. To maintain and enhance the landscape character of parks and public open space areas.

#### C3.6.2 Controls

##### a) Recreational Areas

- i) Recreational areas are to include shade trees that are able to achieve height of adjacent buildings upon maturity.
- ii) Landscape design is to give consideration to passive surveillance and concealment issues.

- iii) Where automatic irrigation is to be installed as part of the landscaping proposal, appropriate back flow prevention and irrigation control devices are to be installed and located in common landscape areas.
- iv) Large paved areas are to be adequately drained.
- v) Fire resistant species are to be used in accordance with NSW Rural Fire Service Bush Fire Hazard Regulations (<http://www.rfs.nsw.gov.au/>).
- vi) Service access to meter boxes is to be maintained (where possible). Landscape designs are to consider all available services and any associated infrastructure.
- vii) Clear access for large machinery and vehicles is to be maintained.

##### b) Public Reserves

- i) The encroachment of landscaping from private lands on to a public reserve is to be avoided unless it is undertaken in consultation with Council.
- ii) Prior to the hand over of public reserve land to Council, the land is to:
  - be free of noxious weeds;
  - be upgraded in accordance with any relevant reserve plan of management and Council's [Open Space Strategy](#);
  - be able to provide adequate access for maintenance and emergency vehicles; and
  - be revegetated or regenerated to ensure retention of remnant bushland areas (consult Council for requirements specific to particular reserve areas).

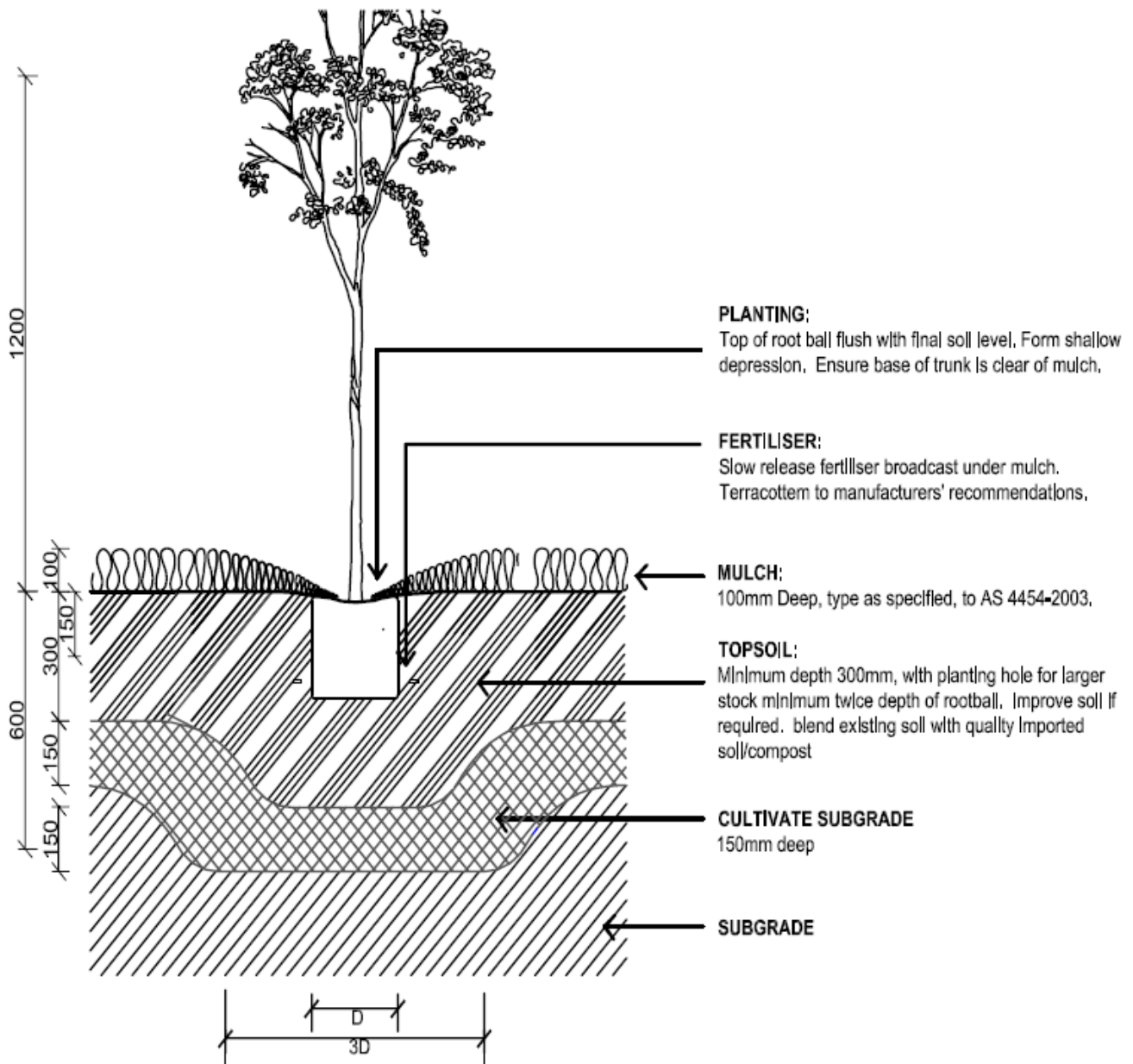
### c) Maintenance of Public Reserves

- i) The "maintenance period" is 12 months from the date of practical completion. During this period, issues such as poor drainage, inappropriate plant selection and/or other design problems are to be rectified by the developer.
- ii) Council is to be consulted to determine the requirements for landscape maintenance prior to hand over to Council.
- iii) During the maintenance period Council will inspect the completed landscape works and will require the following:
  - the site is to be kept free of weeds and rubbish;
  - any plants, staking, cages or mulch that is lost, stolen or damaged is to be replaced;
  - street trees are to be pruned and maintained to ensure the establishment of quality trees;
  - reinstatement of any landscaping damaged by flooding, fire, or poor maintenance;
  - any installed irrigation system is to be maintained in accordance with the manufacturer's maintenance specifications; and
  - any damaged furniture, paving, playground equipment and/or surfaces, fencing, and other such features are to be replaced or repaired.
- iii) Development proposals are to provide certification to Council's Landscape Architect upon completion of all works. All works are to be performed in compliance with all relevant [Australian Standards](#) for play equipment and surfaces.
- iv) Development proposals should ensure that adequate and safe drainage of the play space exists. The pooling of storm-water is to be avoided.

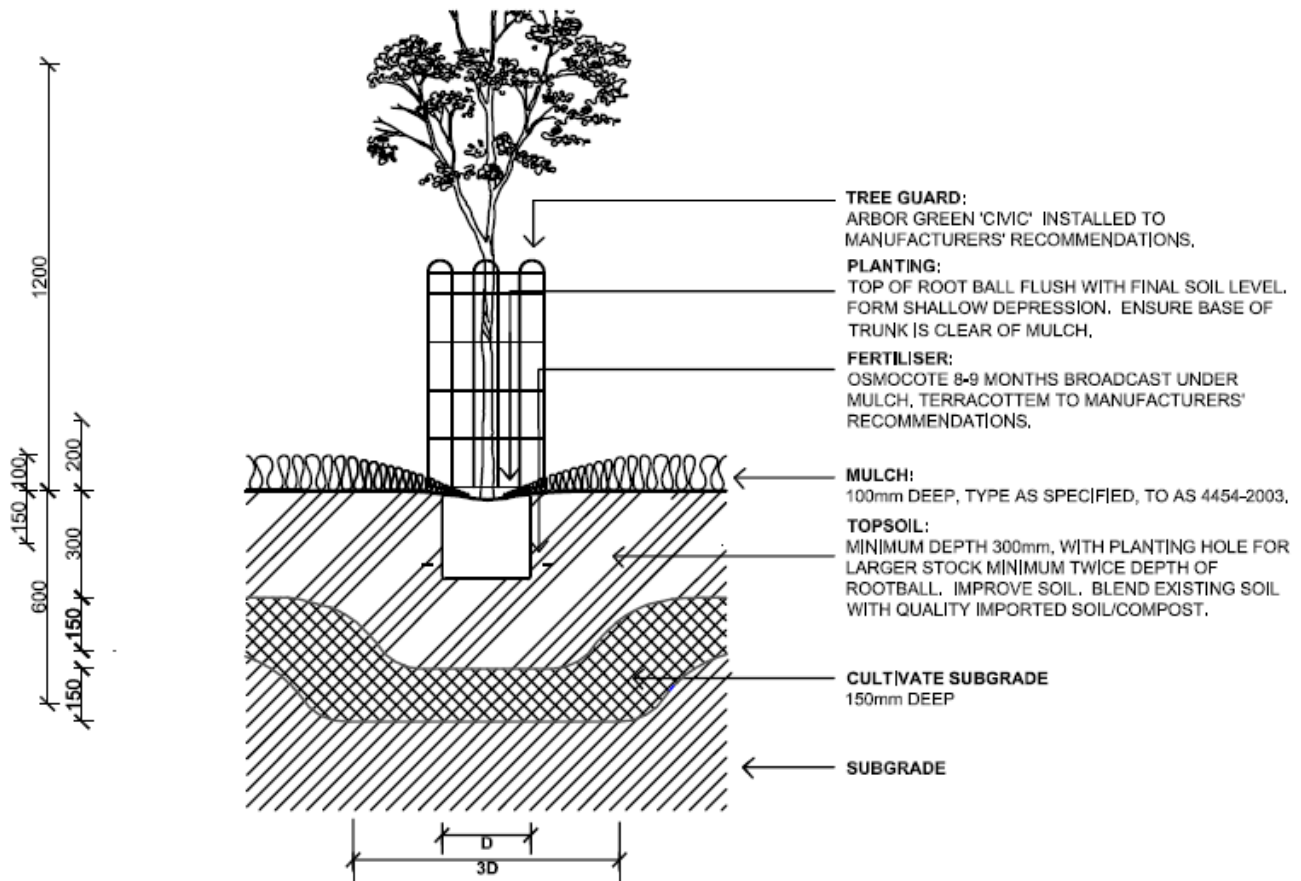
### d) Children's Play Spaces

- i) Council recommends adopting a whole-of-park approach when designing play space facilities.
- ii) Proponents should consider engaging with local children in the design and development stage.

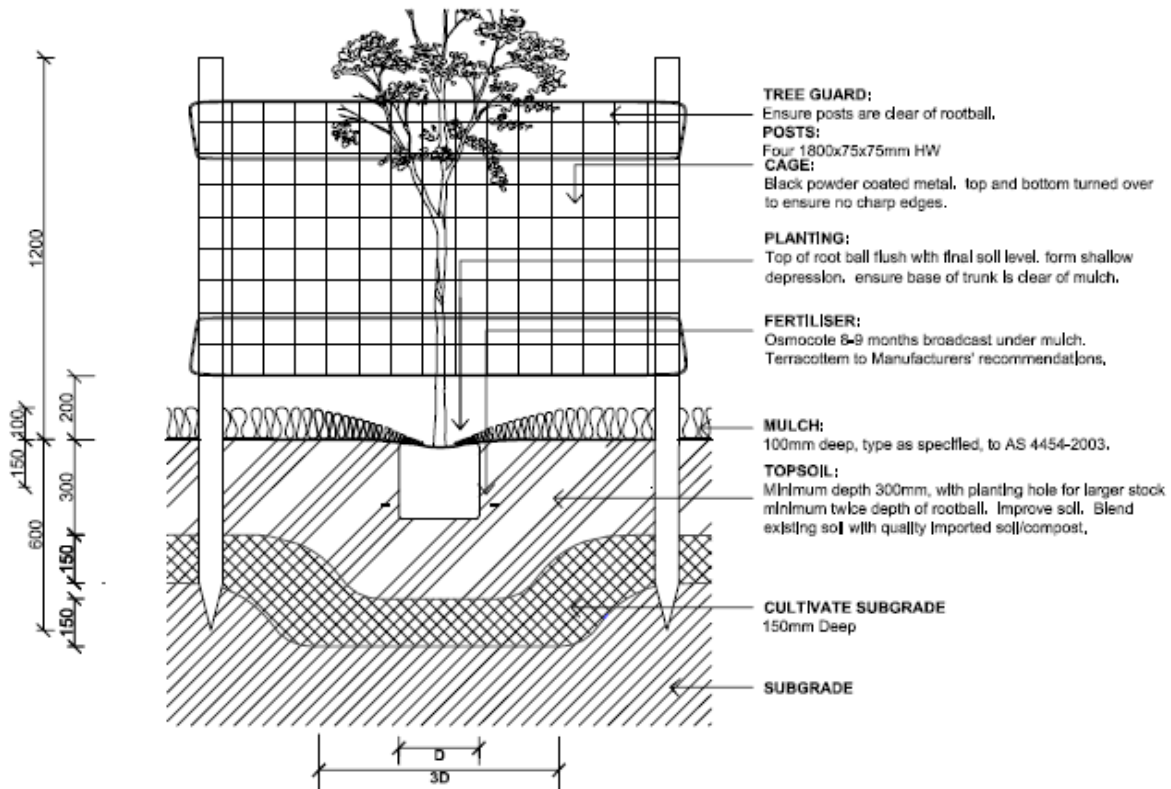
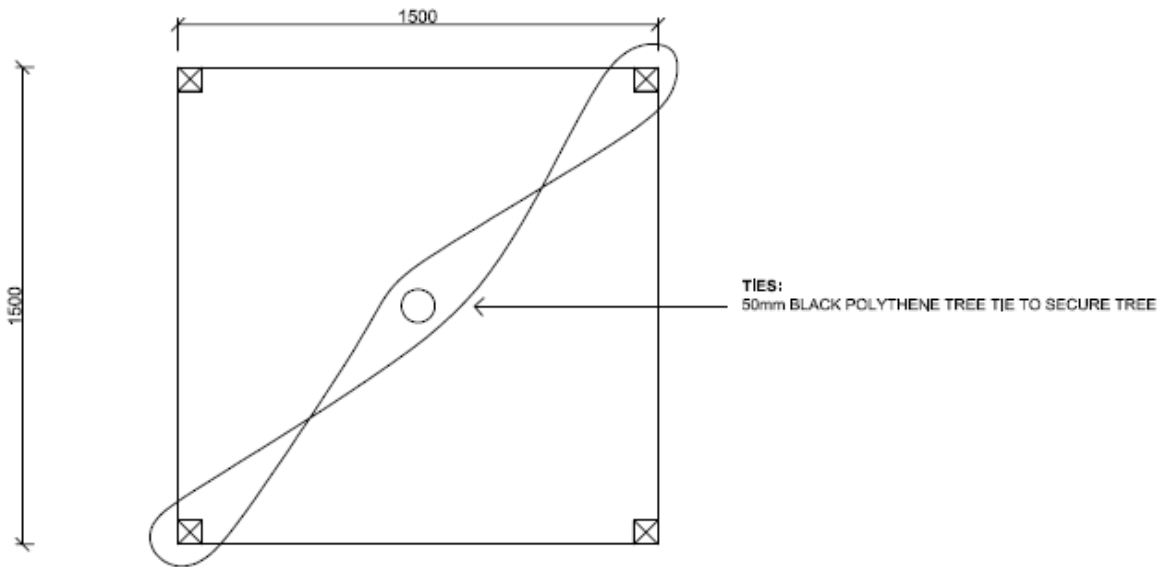
# APPENDIX 1: DETAIL: GENERAL PLANTING



## APPENDIX 2: DETAIL: TREE PLANTING IN TURF OR CAR PARKS



Detail 1: Within Council Commercial Areas



Detail 2: General Street Trees and Car parks.

## APPENDIX 3: PREFERRED LANDSCAPING SPECIES

The following lists indicate a range of plants preferred for use in landscaping and general garden applications in Coffs Harbour. The lists are not exhaustive and a variety of other suitable species and cultivars are also available.

<b>LARGE TREES &gt;10m (Generally not suited to residential lots)</b>	<b>HT (M)</b>	<b>FEATURES</b>
Araucaria heterophylla (Norfolk Island Pine)	20+	Striking pyramidal form and dark green leaves. Coast tolerant
Banksia integrifolia (Coastal Banksia)	15	Yellow flowers at various times during the year. Coast tolerant
Brachychiton acerifolius (Illawarra Flame Tree)	20+	Scarlet flowers in late spring. Prefers ample water
Brachychiton discolor (Lace Bark)	20+	Pink flowers in late spring/summer
Caesalpinia ferrea (Leopardwood)	15	Yellow flowers in later summer/autumn. Attractive spotted trunk
Calodendron capense (Cape Chestnut)	15+	Pink perfumed flowers in autumn and spring. Broad spreading tree. Prefers ample water
Flindersia australis (Australian Teak)	20+	White flowers in summer. Large star shaped woody fruit
Flindersia schottiana (Bumpy Ash, Cudgeri)	20+	Masses scented white flowers in summer. Large dark green leaves. Shade tolerant
Grevillea baileyana and G. hilliana	15+	White flowers in spring. Leaves bronze or silver underside. Prefers composted soils
Grevillea robusta (Silky Oak)	20+	Orange tooth brush flowers in spring
Jacaranda mimosaeifolia (Jacaranda)	15	Blue flowers in late spring, light green ferny foliage. Deciduous during flowering
Melaleuca quinquenervia (Broad Leaf Paper Bark)	15+	Cream flowers late summer to winter. Red flowering form available. Tolerates wet and dry soils
Spathodea campanulata (African Tulip Tree)	10+	Orange / red trumpet flower in spring and autumn
Stenocarpus sinuatus (Firewheel Tree)	10-15	Orange / red whorl flowers in summers. Glossy green leaves. Dense columnar shape
Toona australis (Red Cedar)	20	Fragrant cream flowers in late spring
<b>SMALL - MEDIUM TREES TO 10m</b>	<b>HT (M)</b>	<b>FEATURES</b>
Acmena smithii (Lilly Pilly)	10	White flowers in summer followed by attractive pink fruit
Alloxylon flammeum (Tree Waratah)	10+	Red waratah like flowers in late spring. Prefers good soil and protected site
Backhousia citriodora (Lemon Scented Myrtle)	8	Profuse white flowers in summer. Lemon scented foliage with coppery new growth
Backhousia myrtifolia (Carol, Cinnamon Myrtle)	7	Masses of cream flowers in spring. Cinnamon scented foliage with coppery new growth
Callistemon viminalis (Weeping Bottle Brush)	8	Red bottle bush flowers spring/summer and often at other times of the year. Tolerates wet or dry soils. Weeping habit

Buckinghamia celsissima (Ivory Curl Tree)	10	Large cream grevillea like flowers in autumn and spring
Callistemon salignus (Pink Tips Bottle Brush)	10	Cream bottle brush flowers late spring/autumn. Bright pink new growth especially in spring. Tolerates wet or dry soils. Moderately frost tolerant
Cupaniopsis anarcardioides (Tuckeroo)	10	White flowers followed by orange fruit in summer. Dark green leathery leaves. Coast tolerant.
Delonix regia (Poinciana)	10	Scarlet flowers in summer, bright green ferny foliage. Wide spreading tree with drooping horizontal branches
Elaeocarpus reticulatus (Blueberry Ash)	10	White or pink fringed bell flowers in spring followed by bright blue fruit.
Gordonia axillaris (Gordonia)	4	Large white camellia like flowers in autumn. Prefers humus rich soil and ample moisture
Lagerstroemia indica (Crepe Myrtle)	7	Red, pink, purple or white flowers in spring. Attractive trunk. Deciduous
Syzygium australe (Weigulga Bush Cherry)	10	White flowers followed by rose purple fruit in autumn. Coffs Harbour floral emblem
Melicope elleryana (Pink Melicope)	10	Pink flowers spring/summer. Open habit
Syzygium luehmannii (Riberry)	10	White flowers followed by abundant pink/red fruit in summer. Attractive new growth in shades of pink. Pointed columnar form
Syzygium paniculatum (Magenta Lily Pilly)	10	White flowers followed by rose/purple fruit in autumn
Tibouchina granulosa, "Alstonville or 'Kay Williams' (Tibouchina or Lasiandra)	4-8m	Large bright purple or pink flowers in autumn and spring
Tristaniopsis laurina (Water Gum)	5	Yellow flowers in summer, attractive bark. Tolerates wet and dry soils
<b>PALMS AND TREE FERNS</b>	<b>HT (M)</b>	<b>FEATURES</b>
Archontophoenix cunninghamiana (Bangalow Palm)	12	Slender trunk, lilac flowers, red fruit. Local Native Species. Self shedding leaves. Some frost tolerance
Archontophoenix alexandrae (Alexander Palm)	12	Bright green crown shaft. Cream flowers and red fruit. Enlarged trunk base. Self shedding leaves
Chrysalidocarpus lutescens (Golden Cane Palm)	10	Gold green leaves and stems. Clumping habit
Cyathea cooperi (Rough Tree Fern)	6	Large fronds to 3m long. Scaly trunk. Fast growing
Dicksonia Antarctica (Soft Tree Fern)	6	Large light green fronds to 3m long. Soft furry trunk. Some frost tolerance
Howea fosteriana (Kentia Palm)	9	Attractive green trunk and pendulous leaves
Livistona australis (Cabbage Tree Palm)	30	Fan shaped leaves, tall straight trunk. Prickly leaf stems may be a problem when small
Roystonea regia (Royal Palm)	15+	Large stately palm with contoured trunk
Wodyetia bifurcata (Foxtail Palm)	7-15	Light green arching fronds with plumes of foliage

<b>TALL SHRUBS</b>	<b>HT (M)</b>	<b>FEATURES</b>
Banksia sp. & cultivars eg ericifolia & Giant Candles (Banksia)	5m	Orange cone flowers in autumn / winter
Callistemon upright cultivars eg. Endeavour, Pink Surprise, Mauve Mist, Eureka (Bottle Brush)	3-4m	Red or pink bottlebrushes in spring. Upright habit. Tolerates wet or dry soils
Callistemon viminalis weeping cultivars eg. Dawson River Weeper, Kings Park Special, Hannah Rae, Harkness (Weeping Bottlebrush)	4m	Red bottlebrushes in spring and autumn. Weeping habit. Tolerate wet or dry soils
Camelia sasanqua	3m	Large camelia flowers in various pink and white forms in autumn
Grevillea – tropical forms eg Honey Gem, Pink Surprise, Robyn Gordon, Sandra Gordon and Orange Marmalade (Tropical Grevillea)	3-4m	Large flowers in various colours Spring and autumn
Leptospermum cultivars eg Cardwell	3m	White flowers in spring
Lophostemon ‘Billy Bunter’ (Dwarf Brush Box)	2-3m	Large green foliage with bronze new growth. Rounded form
Melaleuca cultivars eg Purpurea	3m	Blue/green foliage, purple new growth. Tolerates wet soils
Michelia figo (Port Wine Magnolia)	3m	Shiny green foliage, fragrant cream/burgundy flowers
Syzygium paniculatum Dwarf and Bronze Leaf Forms (Lilly Pilly or Brush Cherry)	2-3m	Magenta berries in summer. Colourful new growth in some forms
Syzygium wilsonii (Powder Puff Lilly Pilly)	2m	Large red flower balls in summer. Pink and red new growth in spring
Xanthostemon chrysanthus (Golden Pender)	3m	Yellow flower balls in summer. Sheltered position
<b>SMALL-MED SHRUBS</b>	<b>HT (M)</b>	<b>FEATURES</b>
Abelia grandiflora (bronze, gold and dwarf forms)	1-2m	Coloured foliage, pink bell flowers in spring
Acalypha various forms (Fiji Fire Plant)	1.5-2m	Coloured foliage – bronze, crimson and green/gold forms
Allamanda neriifolia	1.5m	Large yellow flowers spring and summer
Aucuba japonica (Gold Dust Plant)	2m	Dark green leaves with gold markings. Requires part shade
Banksia spinulosa (Hair pin Banksia)	2m	Orange yellow flower cones in winter/spring. Local native
Banksia robur (Swamp Banksia)	2m	Yellow banksia cones in winter, attractive cones. Tolerates wet soils
Callistemon Captain Cook	2m	Masses of red bottle brush in spring and other seasons
Callistemon var (Dwarf Bottlebrush eg ‘Little John’, ‘Anzac’)	1	Bottlebrush flowers, various colours
Croton	2m	Brightly colour foliage and interesting leaf forms
Ixora chinense various forms eg. Prince of Orange (Jungle Flame)	1.5m	Orange flower balls in spring and summer
Melalueca linariifolia dwarf forms eg. Snowstorm	1.5m	White flowers in spring. Soft light green foliage. Tolerates wet soils



Plumbago auriculata	1m	Blue or white flowers – autumn/spring
Westringea fruticosa (Coast Rosemary)	2m	White flowers in spring. Blue/green foliage
<b>SMALL PALMS AND PALM LILLIES</b>	<b>HT (M)</b>	<b>FEATURES</b>
Chamedorea elegans (Cane Palm)	3	Needs shade
Cordyline stricta and petiolaris (Palm Lily)	3	Mauve flowers in spring, black berries in summer. Local native species. Tolerates shade, wet or dry soils
Cordyline – coloured leaf forms	3	Red, pink, striped leaf forms. Prefer some shade
Crinum pedunculatum Swamp Lily	1.5	Large white spider flowers in spring/summer. Large green leaves. Local native species. Tolerates wet or dry soils and salt winds
Doryanthes excelsa (Gynea Lily)	1.5	Red flower on tall flowering spike (to 3-4m) in spring
Dracaena coloured leaf and variegated forms (Dragon Plant, Happy Plant)	4	Green, green/yellow or green/red striped foliage
Lomandra longifolia and hystrix (Mat Rush)	1.5	Green strappy foliage. Local native species Tolerates wet or dry soils and salt winds
Macrozamia communis (Burrawang)	3	Large leathery dark green fern leaves. Local native species
Phoenix roebelenii (Dwarf Date Palm)	2	
Philodendron selloum	2	Large dark green indented leaves
<b>GROUND COVERS</b>	<b>HT (M)</b>	<b>FEATURES</b>
Ajuga reptans (bugle flower)	0.2m	Dark green/bronze leaves, blue flower
Alternanthera varieties	0.5 x 1	Coloured foliage in red or yellow
Austromyrtus dulcis (Midyim Berry)	1 x 1	White flowers, white speckled edible berries. Copper new growth
Banksia – dwarf cultivars	to 1m	Prostrate growth, cone flowers
Cissus rhombifolia (Grape Ivy)	0.5 x 3	Glossy green leaves. Scrambling habit – can be invasive
Cissus andtarctica (Kangaroo Vine)	0.5 x 4	Dark green leaves with rusty new growth. Local native species. Vigorous species for large areas only
Erigeron karvinskianus (Seaside Daisy)	0.3 x 1	White and pink flowers in spring and summer
Evolvulus eg Sapphire Blue, Blue Eyes	0.5 x 1	Blue flowers in autumn and spring/summer
Gardenia radicans (Prostrate Gardenia)	0.3 x 1	Scented white flowers in spring, glossy green leaves. Subject to scale when stressed
Gazania varieties	0.3 x 1	Yellow, pink or crimson daisy flowers in spring or summer. Tolerates salt winds and drought
Grevillea various spreading or compact forms eg. Royal Mantle, Bronze Rambler, Forest Rambler, obtusifolia	0.3 x 1-4	Red or pink toothbrush or spider flowers in spring/summer. Require good drainage
Hibbertia scandens (Guinea Flower)	0.5-1 x 3	Large yellow flowers in spring. Local native species. Tolerates salt spray and drought

Lantana (dwarf and prostrate forms) eg. Sunburst, Strawberry Swirl, White Lightening	0.5 x 4	Abundant purple, bright yellow, pink or white flowers in spring and summer. Non invasive cultivars
Trachelospermum 'Tricolour'	0.3 x 1	Variegated green/pink/white foliage
Viola hederacea (Native Violet)	0.2	White and purple violet like flowers most of year. Local native species. Suckering habit can be invasive. Tolerates shade and wet conditions
<b>FERNS AND LOW FOLIAGE PLANTS</b>	<b>HT (M)</b>	<b>FEATURES</b>
Acanthus mollis (Olyster Plant)	1	Large dissected leaves. Spikes of purple white flowers. Shade tolerant
Agapanthus – blue and white forms	0.5	Blue or white flowers in summer
Anigozanthos – various forms (Kangaroo Paw)	0.5-1	Kangaroo paw flowers in spring/summer
Asplenium australasicum (Birdsnest Fern)	1	Large leaves. Requires shade
Blechnum cartilagineum (Gristle Fern)	0.5	Leathery fern leaves. Local native fern. Sun and drought tolerant
Clivea nobilis (Kaffir Lily)	0.3	Orange flowers in winter/spring. Requires shade
Dietes bicolor and iridoides (Wild Iris)	1	
Dianella caerulea (Flax Lily)	0.6	Blue flowers in spring and bright blue berries in summer. Local native species
Hymenocallis littoralis (Spider Lily)	0.5	White spider flowers in summer. Glossy green leaves. Tolerates drought and salt winds
Philodendron Xanadu (Dwarf Philodendron)	1	Dark green indented leaves. Tolerates sun, shade, drought and wet conditions
Strelizea reginae (Bird of Paradise)	1	Distinctive orange and blue flowers in summer. Drought tolerant

## LOCAL NATIVE SPECIES

This list indicates locally occurring native species which may be available from nurseries and suited to landscaping or natural area restoration. Some of these species are also included in the previous lists.

\*Large trees not suited to residential lots

### Koala Food Trees\*

*Eucalyptus microcorys* (Tallow Wood)  
*Eucalyptus robusta* (Swamp Mahogany)  
*Eucalyptus punctata* (Grey Gum)  
*Eucalyptus propinqua* (Small-fruited Grey Gum)  
*Eucalyptus tereticornis* (Forest Red Gum)  
*Eucalyptus pilularis* (Blackbutt)  
*Eucalyptus grandis* (Flooded Gum)  
*Eucalyptus signata* (Scribbly Gum)  
*Eucalyptus maculata* (Spotted gum)  
*Melaleuca quinquenervia* (Broadleaved paperbark)

### Trees

*Acacia melanoxylon* (Black Wattle)  
*Acmena smithii* (Lilly Pilly)  
*Acronychia imperforata* (Beach Acronychia)  
*Acronychia littoralis* (Scented Acronychia)  
*Alectryon coriaceus* (Beach Birds Eye)  
*Allocasuarina littoralis* (Black Oak)  
*Alphitonia excelsa* (red Ash)  
*Araucaria cunninghamii* (Hoop Pine)  
*Backhousia anisata* (Aniseed Tree)  
*Callicoma serratifolia* (Black Wood)  
*Callistemon salignus* (Pink Tips Bottlebrush)  
*Casuarina glauca* (Swamp Oak)\*  
*Cassine australis* (Red Olive Plum)  
*Cryptocarya triplinervis* (Three Vein Laurel)  
*Diploglottis australis* (Native Tamarind)\*  
*Dysoxylum mollissimum* (Red Bean)  
*Elaeocarpus reticulatus* (Blueberry Ash)  
*Elaeocarpus grandis* (Quandong)\*  
*Ficus coronata* (Creek Sandpaper Fig)  
*Glochidion ferdinandi* (Cheese Tree)  
*Guioa semiglaucata* (Guioa)  
*Jagera pseudorhus* (Foambark)  
*Lophostemon confertus* (Brush Box)\*  
*Melaleuca linariifolia* (Snow in Summer)  
*Melaleuca quinquenervia*\* (Broad Leaf Paperbark)  
*Neolitsea dealbata* (White Bolly Gum)  
*Omalanthus nutans* (Bleeding Heart)  
*Pandanus tectorius var. australianus* (Screw Pine)  
*Pittosporum rhombifolium* (Holly Leaf Pittosporum)

*Pittosporum undulatum* (Sweet Pittosporum)  
*Planchonella australis* (Black Apple)  
*Polyscias elegans* (Celerywood)  
*Polyscias murrayi* (Pencil Cedar)  
*Rapanea variabilis* (Muttonwood)  
*Rhodomyrtus psidioides* (Native Guava)  
*Rhodamnia rubescens* (Brush Turpentine)  
*Sloanea woollsii* (Yellow Carabeen)\*  
*Syncarpia glomulifera* (Turpentine)  
*Synoum glandulosum* (Scentless Rosewood)  
*Syzygium australe* (Brush Cherry)  
*Syzygium luehmannii* (Riberry)  
*Syzygium oleosum* (Blue Lilly Pilly)

### Shrubs

*Acacia floribunda* (Sally Wattle)  
*Banksia spinulosa*  
*Breynia oblongifolia* (Dwarf's Apple)  
*Cordyline stricta* (Narrow Leaved Palm Lily)  
*Cyathea australis* (Rough Tree Fern)  
*Endiandra sieberi* (Corkwood)  
*Eupomatia laurina* (Bolwarra)  
*Leptospermum flavescens*  
*Psychotria loniceroides* (Hairy Psychotria)  
*Pittosporum revolutum* (Yellow Pittosporum)  
*Tabernaemontana pandacaqui* (Banana Bush)  
*Wilkiea huegeliana* (Veiny Wilkiea)

### Ground Covers/Climbers

*Adiantum hispidulum* (Rough Maiden Hair Fern)  
*Alpinia coerulea* (Native Ginger)  
*Billardeira scandens* (Apple Berry)  
*Blechnum nudum* (Water Fern)  
*Blechnum cartilagineum* (Gristle Fern)  
*Brachyscome spp.* (Native Daisy)  
*Cissus antarctica* (Kangaroo Vine)  
*Cissus opaca* (Native Grape)  
*Commelina cyanea* (Blue Wandering Jew)  
*Crinum pedunculatum* (Swamp Lily)  
*Derris involua* (Native Derris)  
*Dianella caerulea* (Flax Lily)  
*Doodia aspera* (Rasp Fern)  
*Eustrephus latifolius* (Wombat Berry)

*Gahnia seiberi and aspera* (Saw Sedge)  
*Hardenbergia violacea* (Native Sarsparilla)  
*Helichrysum* spp. (Native Daisies)  
*Hibbertia scandens* (Snake Vine)  
*Hibbertia dentata* (Guinea Flower)  
*Hoya australis and H. oligotricha* (Waxflower)  
*Ipomea pres-caprae* (Goats Foot)  
*Kennedia rubicunda* (Red Coral Pea)  
*Lomandra longifolia* (Mat Rush)  
*Morinda jasminoides* (Jasmine Morinda)  
*Pennisetum allopecuroides* (Swamp Foxtail)  
*Plectranthus cremmus* (Coastal Mint Bush)  
*Pultenaea villosa and retusa* (yellow pea)  
*Rhodanthe* spp. (Native Daisy)  
*Scaevola* (Blue Fan Flower)  
*Stephania aculeata, S. japonica* (Snake Vine)  
*Smilax australis* (Barbed Wire Vine)  
*Smilax glycyphylla* (Native Sarsparilla)  
*Themeda australis* (Kangaroo Grass)  
*Viola hederacea* (Native Violet)  
*Zieria prostrata* (Headland Zieria)

## ENVIRONMENTAL AND NOXIOUS WEEDS

The following plants are not permissible in landscape plans submitted for Council approval. Plants occurring on a site are to be removed as part of the landscape proposal.

### i) Bushland Friendly Nursery Scheme Environmental Weeds

*Ardisia crenata* (Coral Berry)  
*Abrus precatorius* (Crabs-eye Creeper)  
*Acacia saligna* (Golden Willow Wattle)  
*Ageratum houstonianum* (Blue Billygoat Weed)  
*Anredera cordifolia* (Madeira Vine)  
*Araujia sericiflora* (Moth Vine)  
*Aristolochia littoralis* & *elegans* (Dutchmans Pipe)  
*Asparagus aethiopicus*, *africanus*, *asparagoides* & *plumosus* (Asparagus Ferns)  
*Bryophyllum* spp. (Mother of Millions/Resurrection Plant)  
*Buddleja davidii* & *madagascarensis* (Butterfly Bush)  
*Caesalpinia decapetala*\* (Mysore Thorn)  
*Cinnamomum camphora* (Camphor Laurel)  
*Canna indica* (Canna Lily)  
*Cariospermum grandiforum* (Balloon Vine)  
*Coffea Arabica* (Coffee)  
*Commelina benghalensis* (Hairy Commelina)  
*Cotoneaster* spp. (Cotoneaster)  
*Cuphea carthagenensis* (Cuphea)  
*Delairea odorata* (Cape Ivy)  
*Dioscorea bulbiferum* (Aerial Yam)  
*Duranta repens* (Duranta)  
*Eriobotrya japonica* (Laquat)  
*Eucalyptus torelliana* (Cadaghi)  
*Eugenia uniflora* (Brazilian Cherry)  
*Gleditsia triacanthos*\* (Honey Locust)  
*Gloriosa superba* (Glory Lily)  
*Hedychium gardnerianum* & *coronarum* (Kahili Ginger)  
*Hygrophila costata* (Glush Weed)  
*Inga paterna* (Ice Cream Bean)  
*Ipomoea alba*, *cairica*, *indica* & *purpurea* (Morning Glory's)  
*Koelreuteria paniculate* (Chinese Golden Rain Tree)  
*Lantana camara* (except red) & *montevidensis* (Lantana & Creeping/Mauve Lantana)  
*Leucaena leucocephala* (Leucaena)  
*Ligustrum sinense* & *lucindum* (Narrow Leaf and Large Leaf Privet)  
*Lonicera japonica* (Japanese Honeysuckle)  
*Macfadyena unguis-cati* (Cat's Claw Creeper)  
*Murraya paniculate* (Orange Jessamine)  
*Myriophyllum aquaticum* (Parrot's Feather)  
*Nephrolepis corifolia* (Fishbone Fern)  
*Ochna serrulate* (Mickey Mouse Plant)  
*Olea africanus* (African Olive)  
*Passiflora edulis*, *suberosa* & *subpeltata* (Passionfruit)  
*Paulownia tomentose* & *fortunei* (Palownia)  
*Pennisetum setaceum* (Fountain Grass)  
*Pinus elliotti* & *radiata* (Slash & Radiata Pine)  
*Psidium cattleianum* & *guaiava* (Cherry Guava & Guava)

*Pueraria lobata*\* (Kudzu)  
*Pyracantha fortuneana* (Orange Firethorn)  
*Robinia pseudoacacia* (Black Locust)  
*Schefflera actinophylla* (Umbrella Tree)  
*Senna pendula* var. *glabrate* & *Senna X floribunda* (Cassia)  
*Solanum seaforthianum* (Climbing Nightshade)  
*Syagrus romanzoffianum* (Cocos Is. Palm)  
*Tecoma stans*\* (Yellow Bells)  
*Thunbergia alata* & *grandiflora* (Black-eyed Susan & Blue Trumpet Vine)  
*Tradescantia fluminensis* (Trad)  
*Triadica sebera*\* (*Sapium sebiferum*) (Chinese Tallow)  
*Watsonia meriana* (Bulbil Watsonia)  
*Wedelia trilobata* (Singapore Daisy)

\* *proposed W2 noxious weeds February 2003*

## ii) Other Environmental Weeds and Undesirable Species

*Ailanthus altissima* (Tree of Heaven)  
*Bambusa* sp (Bamboo – running varieties)  
*Datura suaveolens* (Angels Trumpet)  
*Erythrina x sykesii* (Coral Tree)  
*Nerium oleander* (Oleander)  
*Olea Africana* (Wild Olive)  
*Rhaphiolepis indica* Indian Hawthorn)  
*Setaria palmifolia* (Palm Grass)  
*Solanum mauritianum* (Wild Tobacco Tree)  
*Tabebuia chrysantha*\* (Golden Trumpet Tree)

## iii) Not Recommended for Small Blocks or Close to Buildings or Services

All *Ficus* species\* (Figs e.g. Moreton Bay, rubber plant)  
*Liquidamber acerifolius* (Liquidamber)  
*Eucalyptus* species (Gums)  
*Populus* species\* (All Poplars)  
*Salix* species\* (Weeping willow)

\* **Not to be planted within 12m of services**

Note: No trees or shrubs are to be planted within 1.5 metres either side of line of a sewer main

iv) Schedule of Noxious Weeds throughout the City of Coffs Harbour (as declared May 2011)

COMMON NAME	BOTANICAL NAME	CLASS
African Feathergrass	<i>Pennisetum macrourum</i>	5
African Turnipweed	<i>Sisymbrium runcinatum</i>	5
African Turnipweed	<i>Sisymbrium thellungii</i>	5
Aleman Grass	<i>Echinochloa polystachya</i>	2
Alligator Weed	<i>Alternanthera philoxeroides</i>	2
Anchored Water Hyacinth	<i>Eichhornia azurea</i>	1
Annual Ragweed	<i>Ambrosia artemisiifolia</i>	5
Arrowhead	<i>Sagittaria montevidensis</i>	4
Artichoke Thistle	<i>Cynara cardunculus</i>	5
Athel Tree	<i>Tamarix aphylla</i>	5
Bathurst / Noogoora / Californian / Cockle Burrs	<i>Xanthium spp.</i>	4
Bear Skin Fescue	<i>Festuca gautieri</i>	5
Bitou Bush	<i>Chrysanthemoides monilifera subspecies rotunda</i>	4
Black Knapweed	<i>Centaurea nigra</i>	1
Blackberry	<i>Rubus fruticosus (agg. Spp)</i>	4
Boneseed	<i>Chrysanthemoides monilifera subspecies monilifera</i>	2
Bridal Creeper	<i>Asparagus asparagoides</i>	4
Broad Leaf Pepper Tree	<i>Schinus terebinthifolius</i>	3
Broomrapes	<i>Orobanche species</i>	1
Burr Ragweed	<i>Ambrosia confertiflora</i>	5
Cabomba	<i>Cabomba caroliniana</i>	5
Cayenne Snakeweed	<i>Stachytarpheta cayennensis</i>	5
Chilean Needle Grass	<i>Nassella neesiana</i>	4
Chinese Celtis	<i>Celtis sinensis</i>	3
Chinese Tallow Tree	<i>Triadica sebifera</i>	3
Chinese Violet	<i>Asystasia gangetica subspecies micrantha</i>	1
Clockweed	<i>Gaura lindheimeri</i>	5
Clockweed	<i>Gaura parviflora</i>	5
Columbus Grass	<i>Sorghum x alnum</i>	4
Corn Sowthistle	<i>Sonchus arvensis</i>	5
Crofton Weed	<i>Ageratina adenophora</i>	4
Dodder	<i>Cuscuta species</i>	4 & 5
East Indian Hygrophila	<i>Hygrophila polysperma</i>	3
Espartillo	<i>Achnatherum brachychaetum</i>	5
Eurasian Water Milfoil	<i>Myriophyllum spicatum</i>	1
Fine-Bristled Burr Grass	<i>Cenchrus brownii</i>	5
Fireweed	<i>Senecio madagascariensis</i>	4
Fountain Grass	<i>Pennisetum setaceum</i>	5
Gallon's Curse	<i>Cenchrus biflorus</i>	5
Giant Parramatta Grass	<i>Sporobolus fertilis</i>	4
Giant Rat's Tail Grass	<i>Sporobolus pyramidalis</i>	3
Glaucous Starthistle	<i>Carthamus glaucus</i>	5

COMMON NAME	BOTANICAL NAME	CLASS
Golden Thistle	<i>Scolymus hispanicus</i>	5
Green Cestrum	<i>Cestrum parqui</i>	3
Groundsel Bush	<i>Baccharis halimifolia</i>	3
Harrisia Cactus	<i>Harrisia</i> spp.	4
Hawkweed	<i>Hieracium</i> spp.	1
Honey Locust	<i>Gleditsia triacanthos</i>	3
Horsetail	<i>Equisetum</i> spp.	1
Hygrophila	<i>Hygrophila costata</i>	2
Hymenachne	<i>Hymenachne amplexicaulis</i>	1
Johnson Grass	<i>Sorghum halepense</i>	4
Karoo Thorn	<i>Acacia karroo</i>	1
Kidney Lead Mud Plantain	<i>Heteranthera reniformis</i>	1
Kochia	<i>Kochia scoparia bassia</i>	1
Kosters Curse	<i>Clidemia hirta</i>	1
Kudzu	<i>Pueraria lobata</i>	3
Lagarosiphon	<i>Lagarosiphon major</i>	1
Lantana	<i>Lantana species</i>	4
Leafy Elodea	<i>Egeria densa</i>	4
Lippia	<i>Phyla canescens</i>	4
Long-Leaf Willow Primrose	<i>Ludwigia longifolia</i>	4
Mexican Feather Grass	<i>Nassella tenuissima</i>	1
Mexican Poppy	<i>Argemone mexicana</i>	5
Miconia	<i>Miconia</i> spp.	1
Mikania	<i>Mikania micrantha</i>	1
Mimosa	<i>Mimosa pigra</i>	1
Mistflower	<i>Ageratina riparia</i>	4
Mossman River Grass	<i>Cenchrus echinatus</i>	5
Mysore Thorn	<i>Caesalpinia decapetala</i>	3
Pampas Grass	<i>Cortaderia</i> spp.	4
Parthenium Weed	<i>Parthenium hysterophorus</i>	1
Pond Apple	<i>Annona glabra</i>	1
Prickly Acacia	<i>Acacia nilotica</i>	1
Prickly Pear	<i>Opuntia</i> spp. except <i>O. ficus indica</i>	4
Prickly Pear	<i>Cylindropuntia species</i>	4
Privet - Broad Leaf	<i>Ligustrum lucidum</i>	4
Privet - Narrow Leaf / Chinese	<i>Ligustrum sinense</i>	4
Red Rice	<i>Oryza rufipogon</i>	5
Rhus Tree	<i>Toxicodendron succedanea</i>	4
Rubbervine	<i>Cryptostegia grandiflora</i>	1
Sagittaria	<i>Sagittaria platyphylla</i>	5
Salvinia	<i>Salvinia molesta</i>	3
Senegal Tea Plant	<i>Gymnocoronis spilanthoides</i>	1
Serrated Tussock	<i>Nassella trichotoma</i>	4
Siam Weed	<i>Chromolaena odorata</i>	1
Smooth-Stemmed Turnip	<i>Brassica barrelieri subspecies oxyrrhina</i>	5
Soldier Thistle	<i>Picnomon acarna</i>	5
Spiny Burr Grass	<i>Cenchrus incertus</i>	4



COMMON NAME	BOTANICAL NAME	CLASS
Spiny Burr Grass	<i>Cenchrus longispinus</i>	4
Spotted Knapweed	<i>Centaurea maculosa</i>	1
Texas Blueweed	<i>Helianthus ciliaris</i>	5
Tropical Soda Apple	<i>Solanum viarum</i>	2
Water Caltrop	<i>Trapa species</i>	1
Water Hyacinth	<i>Eichhornia crassipes</i>	3
Water Lettuce	<i>Pistia stratiotes</i>	1
Water Pennywort	<i>Hydrocotyle ranunculoides</i>	1
Water Soldier	<i>Stratiotes aloides</i>	1
Willows	<i>Salix species (incl all Salix spp except S. babylonica, S. x reichardtii, S. x calodendron)</i>	5
Witchweed	<i>Striga species (incl all Striga spp except native species and Striga parviflora)</i>	1
Yellow Bells	<i>Tecoma stans</i>	3
Yellow Burrhead	<i>Limnocharis flava</i>	1
Yellow Nutgrass	<i>Cyperus esculentus</i>	5

Class 1	<p><b>State Prohibited Weeds</b></p> <p>These are noxious weeds that pose a potentially serious threat to primary production or the environment and are not present in the State or are present only to a limited extent. These are noxious weeds which must be eradicated from the land and the land must be kept free of the plant.</p>
Class 2	<p><b>Regionally Prohibited Weeds</b></p> <p>These are noxious weeds that pose a potentially serious threat to primary production or the environment of a region to which the order applies and are not present in the region or are present only to a limited extent. These are noxious weeds which must be eradicated from the land and the land must be kept free of the weed.</p>
Class 3	<p><b>Regionally Controlled Weeds</b></p> <p>These are noxious weeds which pose a serious threat to primary production or the environment of an area to which the order applies, are not widely distributed in the area and are likely to spread in the area or to another area. These are noxious weeds which must be fully and continuously suppressed and destroyed.</p>
Class 4	<p><b>Locally Controlled Weeds</b></p> <p>These are noxious weeds that pose a threat to primary production, the environment or human health, are widely distributed and are likely to spread in the area or to another area. The growth and spread of these noxious weeds must be controlled according to the measures specified in the relevant management published by Council.</p>
Class 5	<p><b>Restricted Plants</b></p> <p>These are noxious weeds that are likely, by their sale or sale of their seeds or movement within the State or an area of the State, to spread either within or outside the State. These noxious weeds are prohibited from sale.</p>

